

Thermowood® Decking

INSTALLATION GUIDE

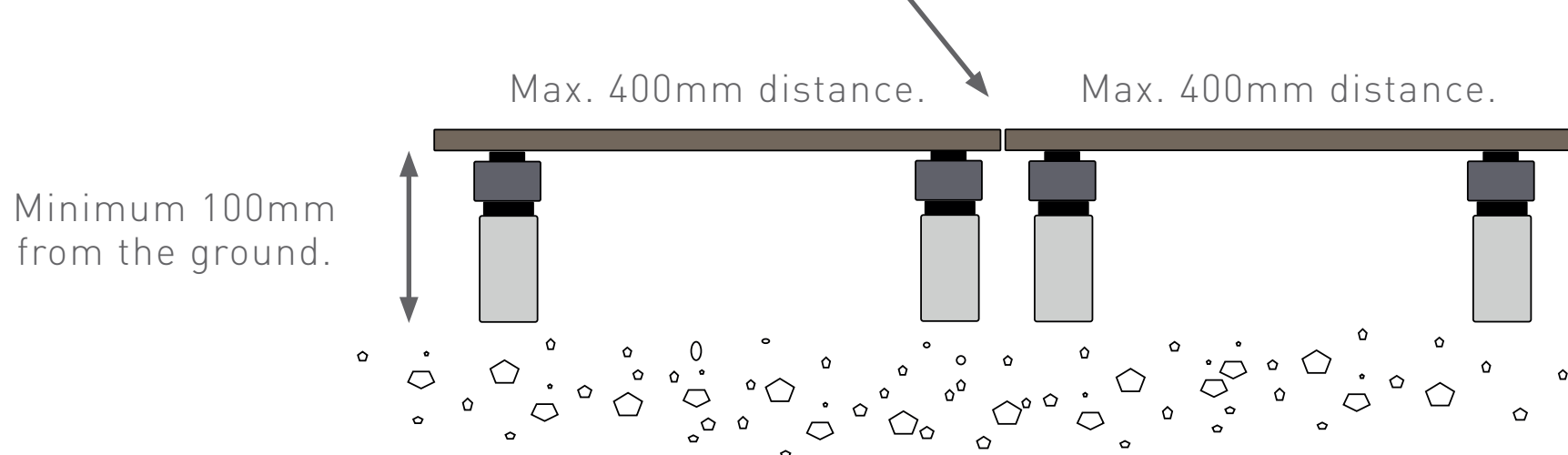
STORAGE

Whenever possible, Thermowood® decking boards should be stored inside, out of the sun, rain and other elements. When this is not possible, boards need to be elevated off the ground, stacked uniformly and covered with a waterproof tarp. Leave the ends of the tarp open so moisture is not trapped inside, making certain the stored wood is not subjected to the elements or sun as UV rays will fade the material. Under no circumstances should Thermowood® boards, even in original packaging, be subjected to rain or any moisture as they cannot dry properly when stacked and/or packaged.

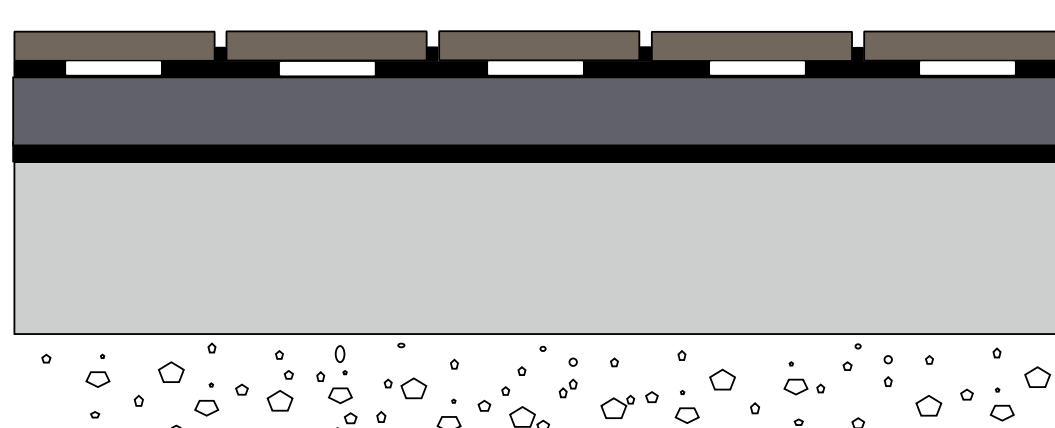
BUILDING A PROPER FOUNDATION

- Thermowood® decking must be laid on even, flat ground.
- Good drainage is essential for directing water away from the structure.
- Wood must not be directly connected to wood. When using screws, leave about 4-6 mm between decking boards and under construction beams by using spacers. Oggie Outdoor T-95 and T-150 clips achieve the same effect.
- Deck should lay at least 100mm above ground as under construction beams must never be in contact with ground water.
- Recommended distance for under construction beams to support the decking is max. 400mm.

Use spacers or Oggie Outdoor clips to leave 4-6mm between decking boards and under construction beams.



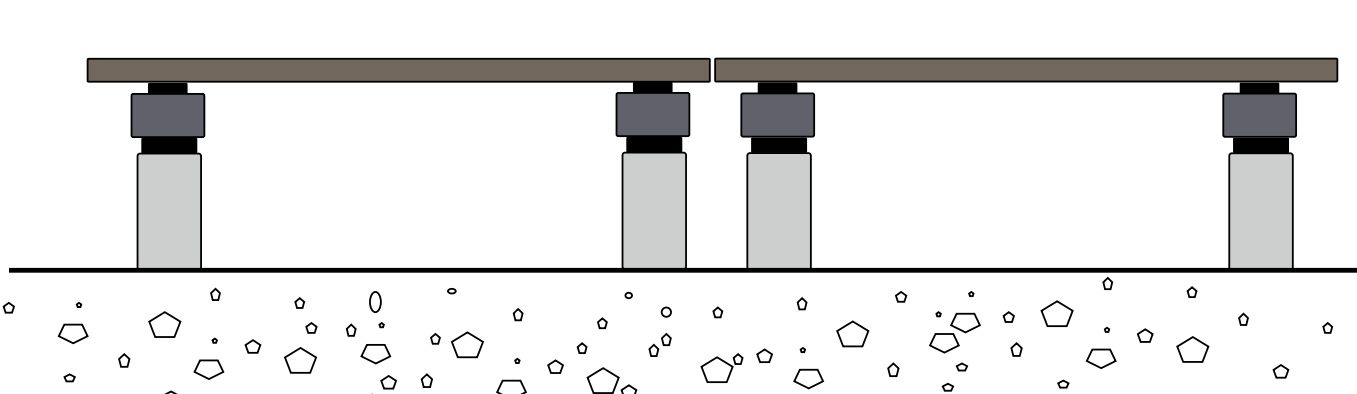
Use moisture protection layer between foundation and under construction beams.



AVOIDING MOISTURE DAMAGES

LEAVE SUFFICIENT AIR GAP BETWEEN DECKING BOARDS

Leaving a sufficient air gap between the decking boards helps to prevent water causing swelling. Formula for calculating necessary space: width of decking board divided by 18. When installing straight cut (no end-matching) Thermowood® decking boards in length, leave about 5mm space between boards for air circulation in order to prevent swelling from trapped moisture.



Leave some space between boards both in length and as well in width to enable proper ventilation.

SEAL THE ENDS WITH EXTERIOR OIL

Sealing the ends of the boards with Exterior Oil is always recommended in order to ensure a longer lifespan for the decking.



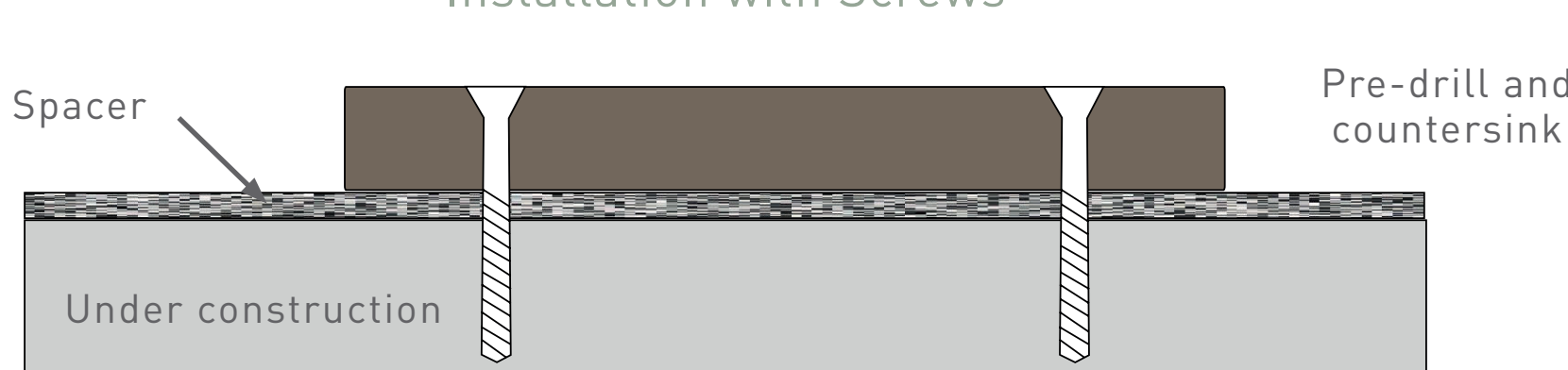
[VIEW EXTERIOR OIL](#)

Thermally-Modified Nørdic Ash should be sealed with Exterior Oil on installation.

INSTALLATION

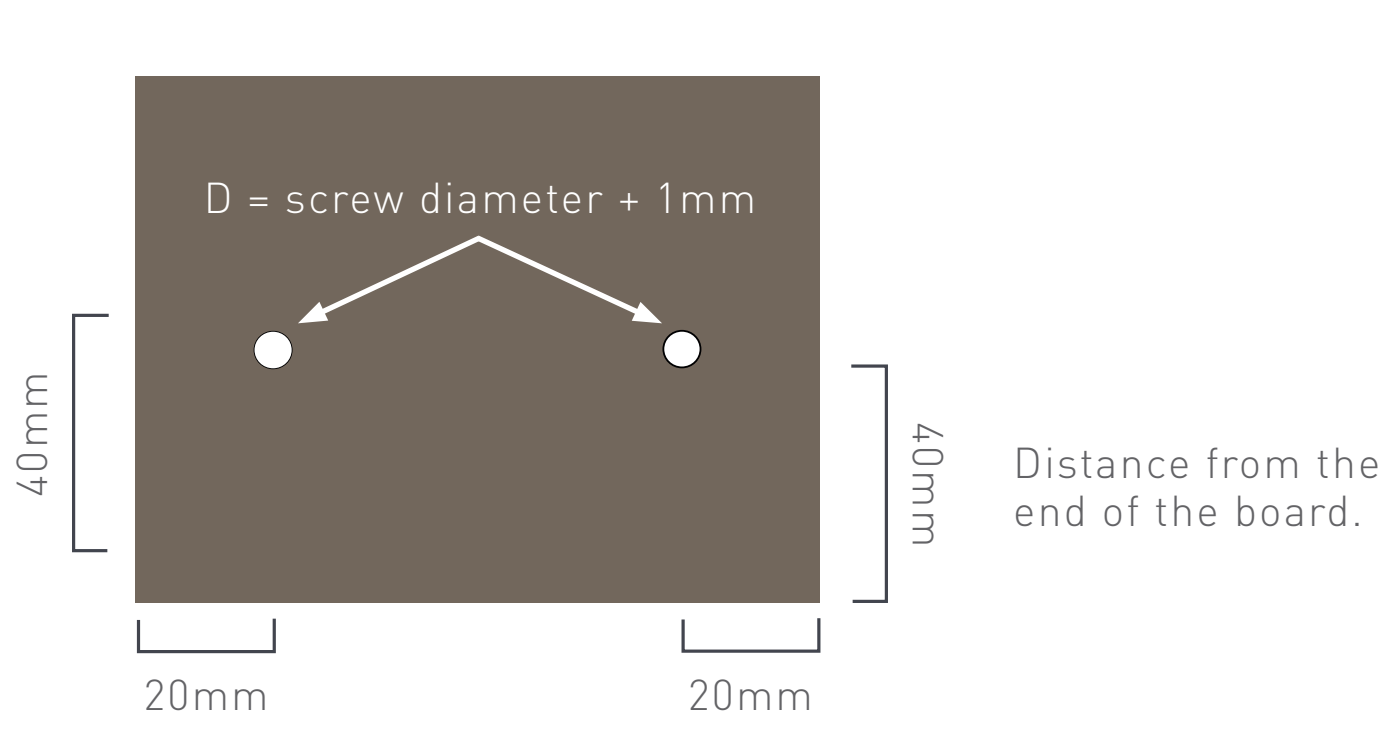
Always use stainless steel screws or Oggie Outdoor clips when installing Thermowood® decking. Especially for Thermally-Modified Nørdic Ash, pre-drilling is needed in order to avoid cracking. The pilot hole should be minimum 1mm larger in diameter than the screw itself, to allow necessary movement and prevent splits. Thermally-Modified Nørdic Pine can be fixed using self-drilling screws.

Installation with Screws



Cross-Section View

Screw heads must not penetrate too deep into the wood. Screw heads should fit snugly and be roughly level with the wood surface in order to reduce risk of water absorption.



OGGIE OUTDOOR HIDDEN INSTALLATION SYSTEMS

Thermowood® decking boards come in a range of widths and profiles and can be fixed both with visible and hidden installation systems.

INSTALLATION WITH T-95 AND T-150 CLIPS

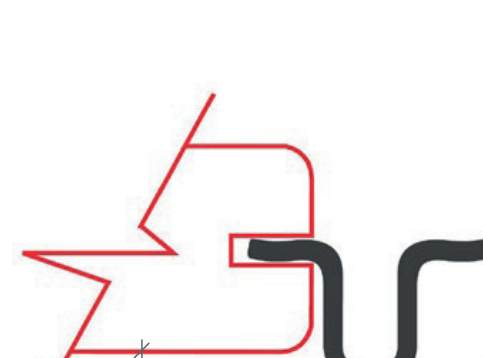
Oggie Outdoor black-coated stainless steel clips "T-95" and "T-150" both create a beautiful decking surface with no visible screws.



The T-95 clip leaves a 4mm gap between deck boards and is suitable for widths up to 112mm (included).

The T-150 clip leaves a 6mm gap between deck boards and is suitable for widths over 112mm.

Clips T-95 and T-150 require only one screw per clip (one screw per clip). Both clips leave approx. 1.3mm beneath the decking board to avoid wood-to-wood contact.



Required Amount of Fasteners

T-95 (including screws) - 2.5 pcs/linear meter.

T-150 (including screws) - 2.5 pcs/linear meter.

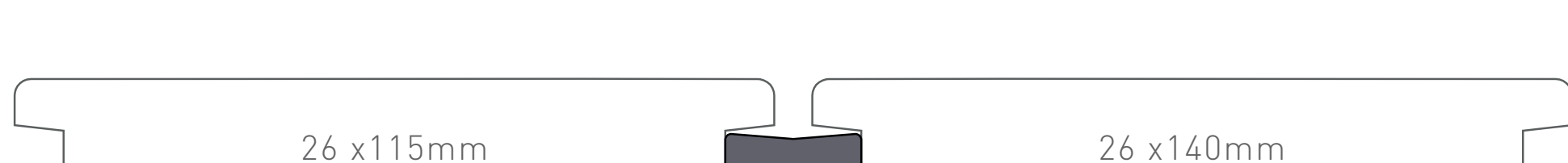
INSTALLATION WITH P-26 CLIPS

Oggie Outdoor black coated P-26 clip leaves a distance of 6mm between the boards.

P-26 clips are suitable for the following Thermally-Modified Nørdic Pine.

Sizes: 26 x 115mm and 26 x 140mm.

A rubber strip should be inserted between the Thermowood® under construction.



Cape Town: 021 510 2846 | Paarden Eiland
Johannesburg: 011 262 3117 | Sandton
Durban: 031 000 1000 | Umhlanga
enquiry@oggie.co.za
www.oggieflooring.com

Oggie
outdoor