

# Scandipanel installation Guide

Glued Installation.

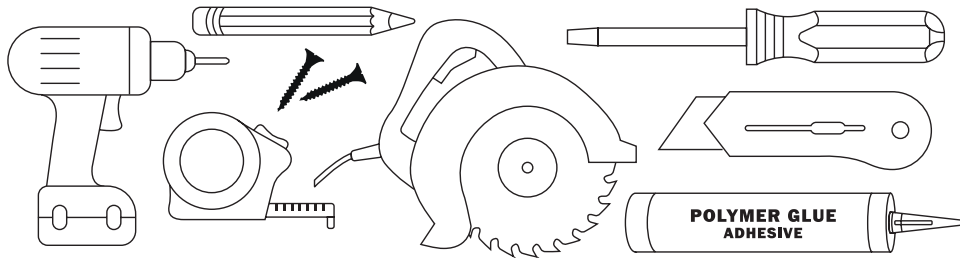


**Joggie**  
scandipanel

1.

## Preparation.

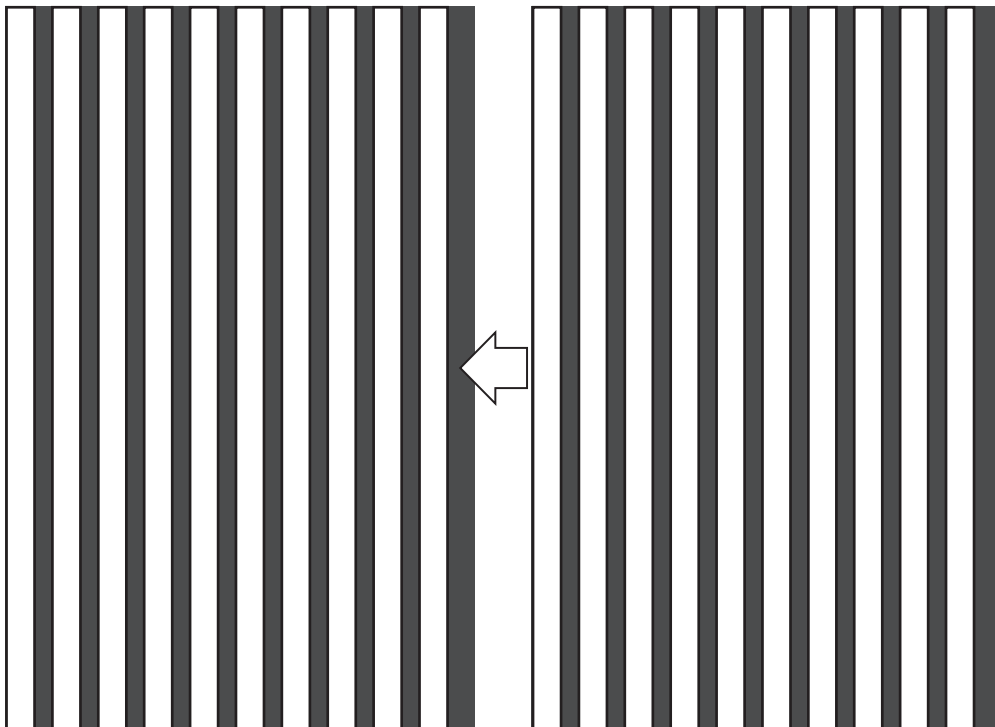
Make sure that the wall is free of any screws, nails or other obstacles before you start an installation. You will need: a Stanley knife, pencil, measuring tape, saw, drill, a screwdriver, polymer-based glue and 15mm black screws.



2.

## Planning and Alignment.

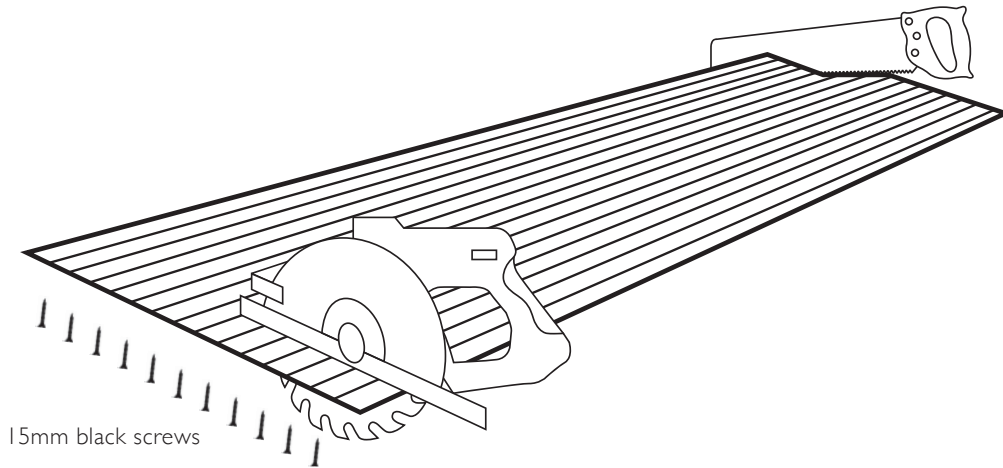
Scandipanel has a oak wood front and a felt back, they also have a wood side and a felt side. When you mount the panels in continuation with each other you need to make sure that the felt side of the panel is matched with the wood side of the next panel so they all lie in the same direction. This will allow for the approximate 12mm gap at their joining.



3.

## Measuring and cutting Scandipanel.

If you need to accommodate different installation heights, the Scandipanel can be cut with a circular or normal saw. Mark the cutting line on the panels with a pencil for accuracy. Fasten the wood to the felt at the cut where the panels join. This is done by drilling a screw (approx 15mm) through the felt at the back into each wood plank on the Scanpanel.



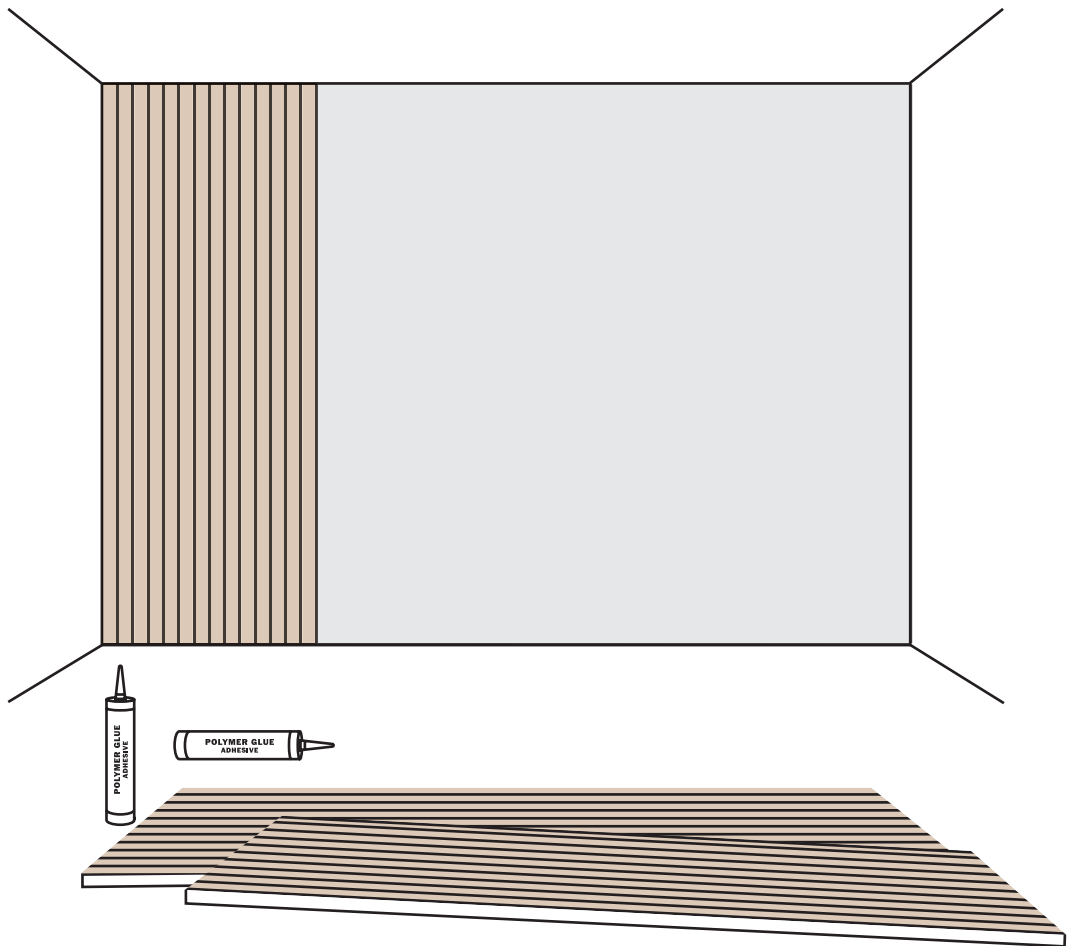
If you need to accommodate a different width, you will need to cut the Scandipanel in the felt section in between wood panels using a knife to make them fit the wall.



4.

## Glued Installation.

After the measurements and cutting is completed you can install Scandipanel directly onto the wall using a polymer-based glue. Apply the glue onto the felt back of the wood panel and press up against the wall. Add consistent support pressure across the panel until the glue has set for proper adhesion. This glued installation will enable the wall to achieve a Class D sound rating.



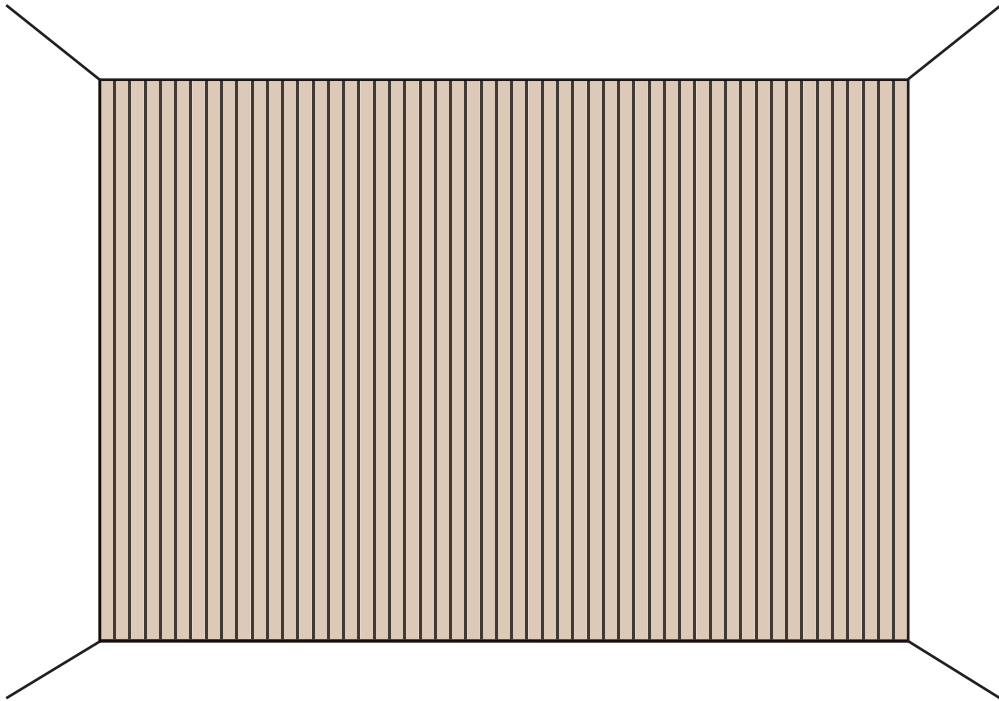
5.

## Installation completed.

Once your acoustic panel wall is fully installed the reverberation should be removed, and you will be able to hear sound better.

If you need verbal installation guidance, please reach out to us.

We would love to see the final result so please do not forget to tag @oggieflooring on instagram.



Cape Town: 021 510 2846 | Paarden Eiland  
Johannesburg: 011 262 3117 | Parkhurst  
Durban: 031 000 1000 | Umhlanga  
nick@oggie.co.za  
www.oggieflooring.com

**Oggie**  
scandipanel