

Scandipanel installation Guide

Mounted Installation.

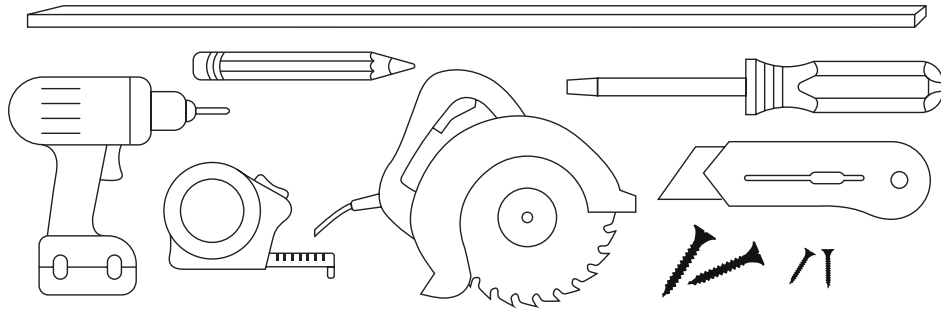


Jggie
scandipanel

1.

Preparation.

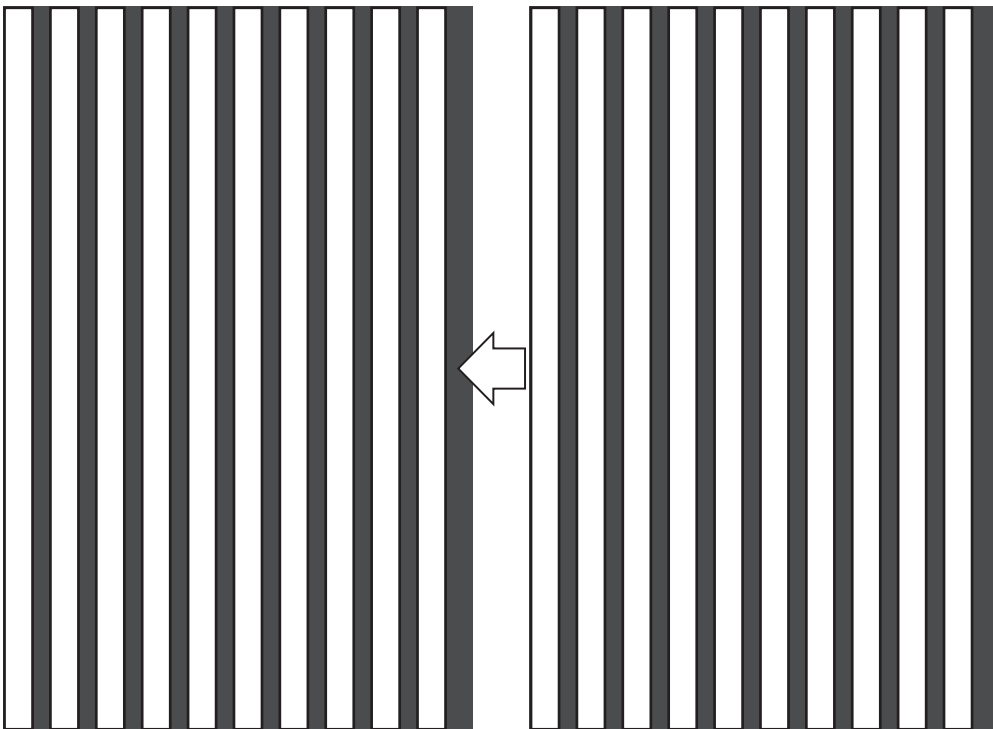
Make sure that the wall is free of any screws, nails, or other obstacles, before you start an installation. You will need: a Stanley knife, pencil, tape measure, saw, drill, screwdriver, 45mm battens, 35mm and 15mm black screws, as well screws and plugs for mounting the battens onto the wall.



2.

Planning and Alignment.

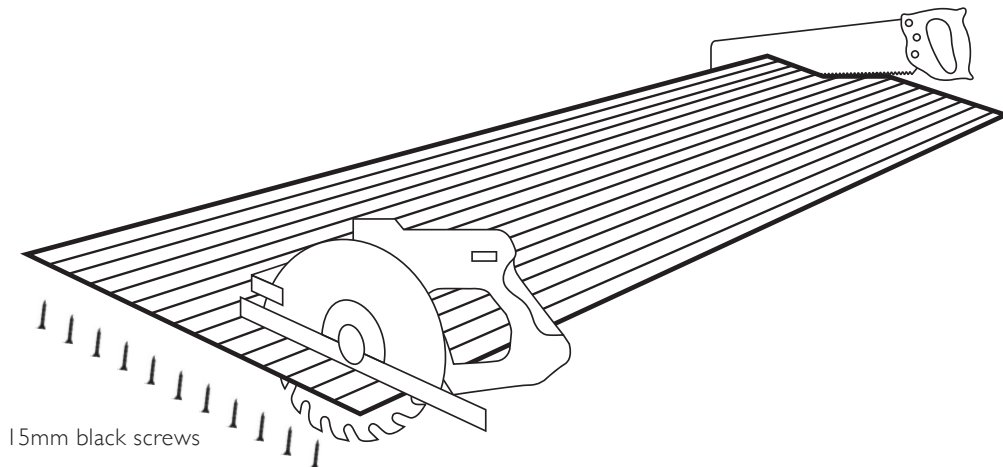
Scandipanel has a oak wood front and a felt back, they also have a wood side and a felt side. When you mount the panels in continuation with each other you need to make sure that the felt side of the panel is matched with the wood side of the next panel so they all lie in the same direction. This will allow for the approximate 12mm gap at their joining.



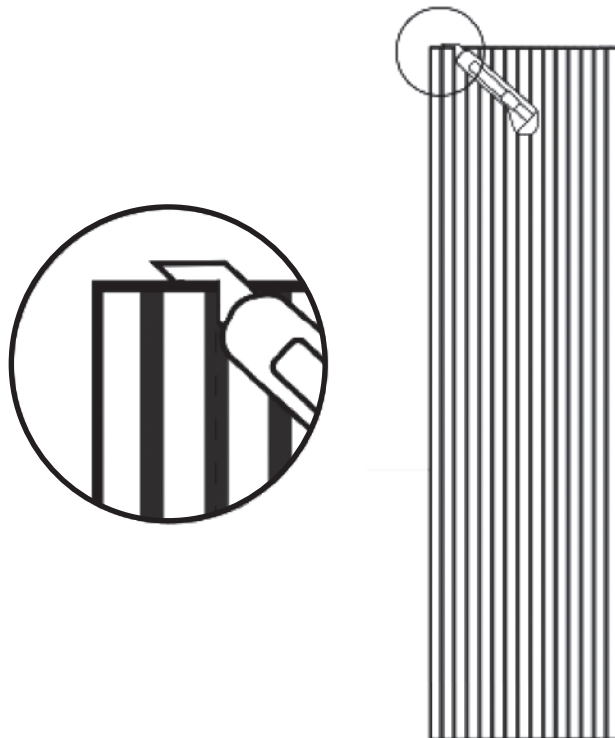
3.

Measuring and cutting Scandipanel.

If you need to accommodate different installation heights, the Scandipanel can be cut with a circular or normal saw. Mark the cutting line on the panels with a pencil for accuracy. Fasten the wood to the felt at the cut where the panels join. This is done by drilling a screw (approx 15mm) through the felt at the back into each wood plank on the Scanipanel.



If you need to accommodate a different width, you will need to cut the Scandipanel in the felt section in between wood panels using a knife to make them fit the wall.

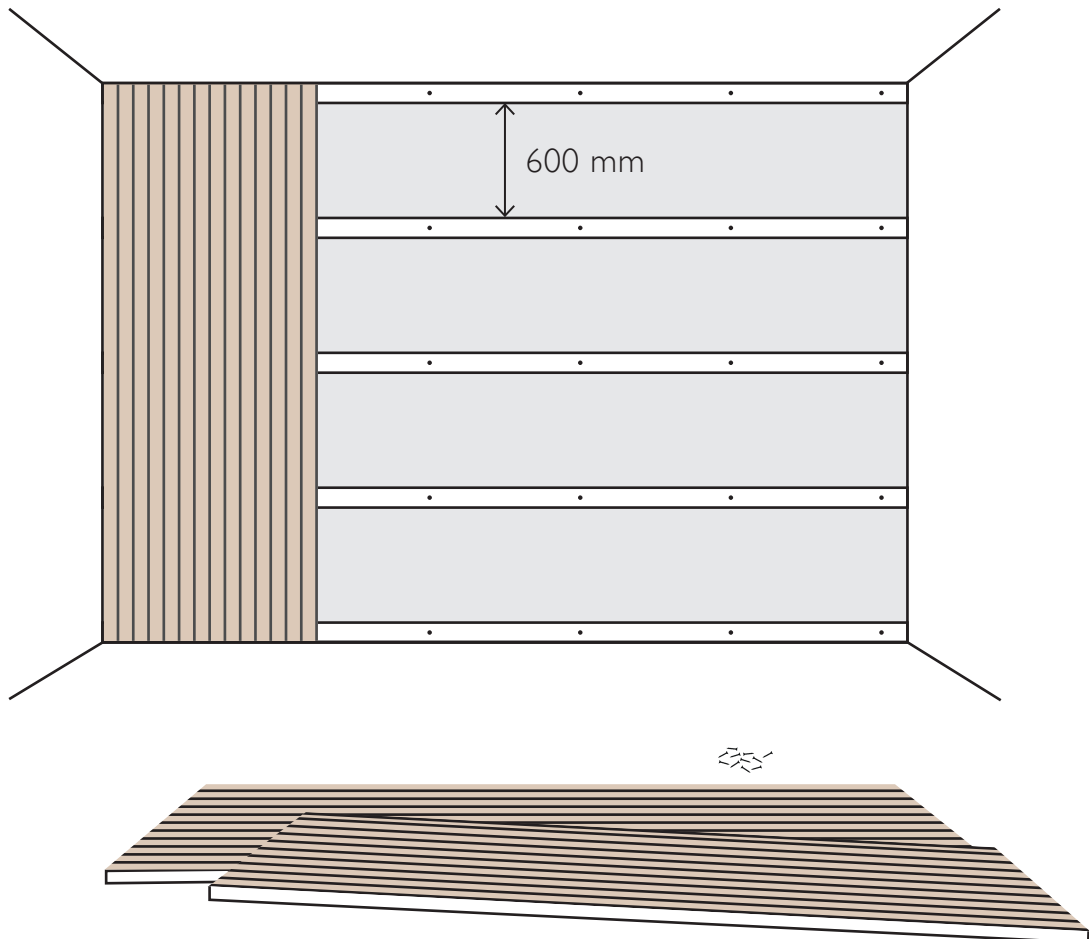


4.

Mounted Installation.

First you need to mount 45mm battens to the wall. You will need the screw and plugs to attach these to a plastered wall. Mounting battens will enable you to then drill screws through the felt into these battens. We suggest that the battens are placed 600mm apart. This option allows space for some additional stuffing between the mounted battens, which will enable your wall to achieve a Class A sound rating (the highest noise dampening class attainable)

Once the battens are up it is possible to insert 45mm of mineral wool or stuffing between the battens. The Scandipanel is attached to the wall by drilling black 45mm screws into the felt and the batten behind. We recommend 15 screws per Scandipanel.



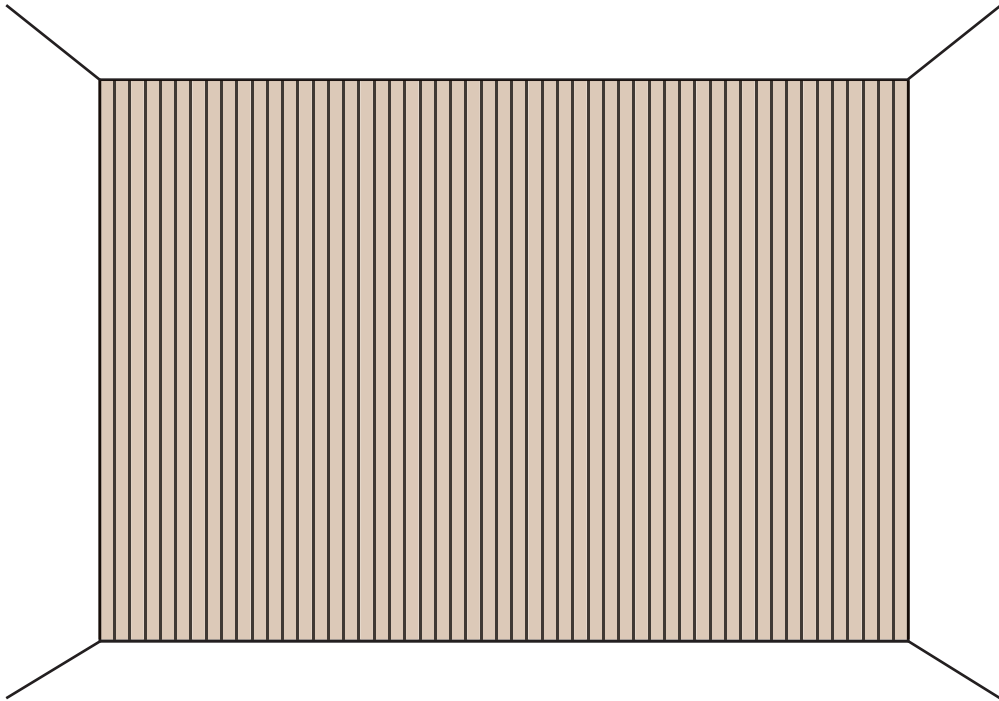
5.

Installation completed.

Once your acoustic panel wall is fully installed the reverberation should be removed, and you will be able to hear sound better.

If you need verbal installation guidance, please reach out to us.

We would love to see the final result so please do not forget to tag @oggieflooring on instagram.



Cape Town: 021 510 2846 | Paarden Eiland
Johannesburg: 011 262 3117 | Parkhurst
Durban: 031 000 1000 | Umhlanga
nick@oggie.co.za
www.oggieflooring.com

Oggie
scandipanel